



SUP  
&  
Sports

2022





## Tropical Collection

P3-6



**ELLE 10'4''**

**Dimensions**  
315 x 79 cm  
10'4" x 31"

**Thickness**  
13cm // 5"

**Technology**  
Drop-Stitch  
Triple Layer Stringer

**LUI 10'8''**

**Dimensions**  
325 x 84 cm  
10'8" x 34"

**Thickness**  
15cm // 6"

## Suncruise Collection

P3-6



**SC 10'2''**

**Dimensions**  
310 x 84 cm  
10'2" x 33"

**Thickness**  
15cm // 6"

**Technology**  
Drop-Stitch  
Double layer fusion

**SC 11'2''**

**Dimensions**  
340 x 84 cm  
11'2" x 33"

**Thickness**  
15cm // 6"

**Technology**  
Drop-Stitch  
Double layer fusion

**SC 12'**

**Dimensions**  
365 x 86 cm  
12' x 34"

**Thickness**  
15cm // 6"

**Technology**  
Drop-Stitch  
Double layer fusion

# The Skiffo Family

The Skiffo range of Stand-Up-Paddles has been designed and perfected to create memorable outings as a duo, with family or with friends.

## TECHNOLOGY AND AESTHETICS

From a standpoint technology, the Skiffo boards have nothing to envy to those preferred by the professionals. The brand leaves nothing to chance: the **3 Sunruise models** as all benefit from a double layer thermally bonded, and the drop-stitch method has been applied to all SUPs. These tested technologies maximize the boards' compactness and rigidity, improving the Stand-Up-Paddle gliding capacity.

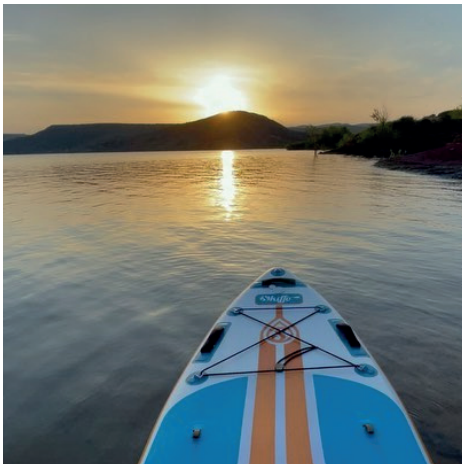
Two models are especially suited to beginners and recreative usage:  
Elle, Lui - for which Skiffo has created very distinctive trendy personalities. Elle and Lui, with bright pink and blue colours, invite to an outing as a duo.

## A PRACTICAL STAND-UP-PADDLE

Once deflated, these SUPs and all equipment are easily put away in their bag that can be stored in a trunk, a closet or even under the bed. For an easy outing, the Skiffo Stand-Up-Paddles are supplied with all necessary equipment: bag on wheels, high pressure double action pump, paddle, foot leash and repair kit.



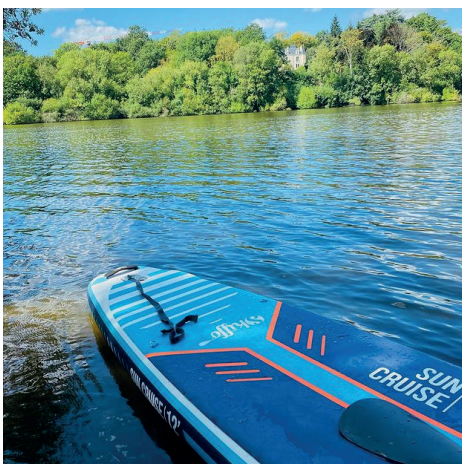
@davidbenezech



@dogs\_on\_trip



@Ladlilu



@lucielou

@kahroline\_63

@sophiegrzn



# Skiffo Elle & Lui

## DROP STITCH | TRIPLE LAYER STRINGER

With the Drop Stitch, the interior of the SUP is made up of thousands of polyester threads that stretch with the pressure of the inflated board providing better resistance to compression and traction. The SUP thus gains in rigidity.

Skiffo has developed an innovative exclusive technology for its ELLE and LUI range. A double-layered stringer connects the nose to the tail, on the deck and the bottom of the board. This gains more rigidity without compromising the lightness of the SUP. The digitally printed stringer gives the Skiffo ELLE and LUI a high quality colorful finish.



**DROP STITCH**  
High density  
drop-stitch threads



**EVA PADS**  
4mm non-slip  
eva pad



**REINFORCED PVC**  
High Quality PVC  
conception



**PSI INFLATION**  
High pressure  
PSI inflation



**UV RESISTANCE**  
Reinforced UV  
Resistance



**PREMIUM VALVE**  
Premium inflation  
valve



# Elle 10'4"

SKIFFO FOR HER

MANOEUVRABILITY

STABILITY

SPEED

Beginner
Intermediate
Advanced

Dimensions	315 x 79 cm / 10'4" x 31"
Thickness	13cm / 5"
Technology	Drop-Stitch / Triple Layer Stringer
Max. Charge	105kg
Fins	1 central slide-in
Ref	PB-SXY104C

- Max. Charge** 105kg
- Technology** Dropstich Triple layer Stringer
- Thickness** 13cm



**FEMININ DESIGN AND DIMENSIONS.**  
 Designed in a bright pink colour, the Skiffo Elle invites you to embrace your passion from a female perspective and indulge in it freely. The length and width of the Skiffo Elle - 315 cm x 79 cm - have been designed precisely for the female body type which is generally narrower at the shoulders.



**CARGO STRAPS**  
 Make the fun last by loading a waterproof bag filled with food and drink in the front of your board.



**15 PSI PRESSURE VALVE**  
 Skiffo SUPs are equipped with a high pressure push/pull technology valve guaranteeing extreme air and water tightness.



**D-RINGS KAYAK SEAT**  
 Convert your SUP into a kayak by attaching a seat (optional) to the 4 side d-rings.



**EVA CENTRAL AND KICK PADS**  
 Skiffo SUPs are equipped with a central pad in EVA foam with a comfort thickness of 4 mm. A kick pad of the same quality, raised by 5 cm, complements this SUP to facilitate manoeuvrability



# Lui 10'8"

SKIFFO FOR HIM

MANOEUVRABILITY



STABILITY



SPEED



Beginner
Intermediate
Advanced

Dimensions	325 x 84 cm / 10'8" x 33"
Thickness	15 cm / 6"
Technology	Drop-Stitch / Triple Layer Stringer
Max. Charge	135 kg
Fins	1 central slide-in
Ref	PB-SXY108C



**Max. Charge**  
135kg



**Technology**  
Dropstich  
Triple layer Stringer



**Thickness**  
15cm

## A SUP THAT REVEALS ITS TRUE STRIPES FROM THE OUTSET.

A dynamic combination of blues that reminds the true masculine side of this SUP of 325 cm in length. It quickly gains in gliding speed thanks to its high rigidity. The Skiffo LUI benefits from the Drop Stitch concept that optimizes the compactness of the board under pressure. A stringer running the length of the SUP reinforces the rigidity of a triple layer. You will enjoy a SUP of exceptional buoyancy for a more than surprising gliding experience.



*All included Pack*



### CARGO STRAPS

Make the fun last by loading a waterproof bag filled with food and drink in the front of your board.



### 15 PSI PRESSURE VALVE

Skiffo SUPs are equipped with a high pressure push/pull technology valve guaranteeing extreme air and water tightness.



### D-RINGS KAYAK SEAT

Convert your SUP into a kayak by attaching a seat (optional) to the 4 side d-rings.



### EVA CENTRAL AND KICK PADS

Skiffo SUPs are equipped with a central pad in EVA foam with a comfort thickness of 4 mm. A kick pad of the same quality, raised by 5 cm, complements this SUP to facilitate manoeuvrability



# SunCruise Collection

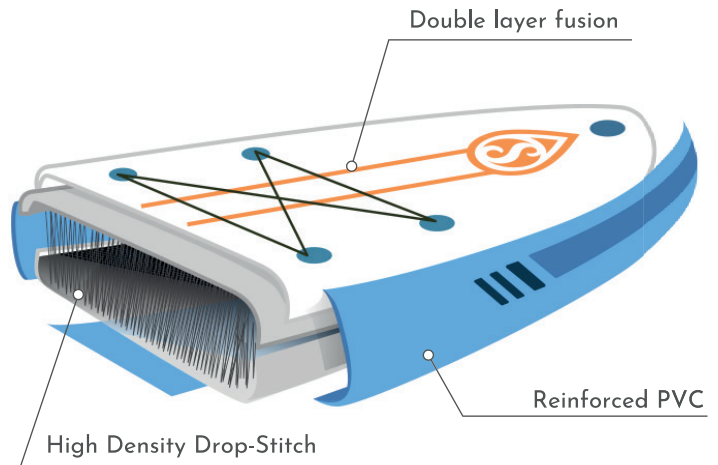
## SunCruise Technology

### DROP-STITCH | DOUBLE LAYER FUSION

Our Skiffo SUN CRUISE takes it up a notch and opt for cutting-edge Double Layer Fusion technology. A second layer of reinforced PVC is thermally welded to the basic Drop-Stitch construction.

This technology reinforces the Drop-Stitch design, which increases the rigidity of the board from the inside: thousands of high-density polyester fibers connect the top and bottom layers of the board to optimize the compactness and lightness of the whole board.

Inflated under high pressure (15 Psi), the SUNCRUISE SUPs guarantee exceptional rigidity and preserve the initial shape of the board in all conditions. The rail of the board is also lined with a second layer of PVC to prevent any type deformation.



**DROP STITCH**  
High density drop-stitch threads



**EVA PADS**  
4mm non-slip eva pad



**REINFORCED PVC**  
High Quality PVC conception



**PSI INFLATION**  
High pressure PSI inflation



**UV RESISTANCE**  
Reinforced UV Resistance






**PREMIUM VALVE**  
Premium inflation valve





# Suncruise 10'2"

THE DISCOVERY SUP

MANOEUVRABILITY   
 STABILITY   
 SPEED 

**Beginner** **Intermediate** **Advanced**

Dimensions	310 x 84 cm / 10'2" x 33"
Thickness	15cm / 6"
Technology	Drop-Stitch / Double layer fusion
Max. Charge	110 kg
Fins	1 central slide-in
Ref	PB-SSC102C

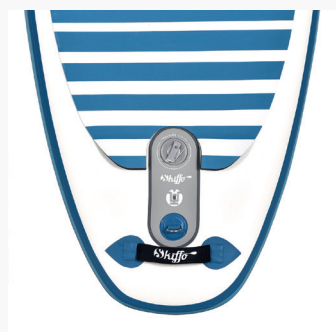
-  **Max. Charge** 110 kg
-  **Technology** Dropstich Double layer fusion
-  **Thickness** 15 cm

## AN ALL-RIDERS SUP.

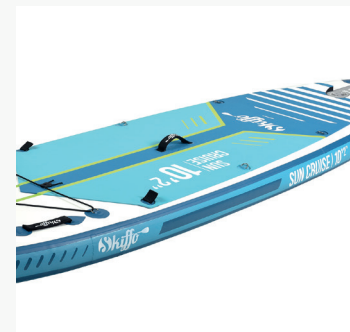
In all its versatility, the Suncruise 10'2 SUP is suitable for many types of users wishing to discover this board sport. The 310cm length and 84cm width make the Suncruise 10'2 a stable SUP that offers a platform wide enough to feel a good balance. Both small and young users will enjoy the dimensions of this SUP made for outings on calm waters.



**CARGO STRAPS**  
 Make the fun last by loading a waterproof bag filled with food and drink in the front of your board.



**15 PSI PRESSURE VALVE**  
 Skiffo SUPs are equipped with a high pressure push/pull technology valve guaranteeing extreme air and water tightness.



**D-RINGS KAYAK SEAT**  
 Convert your SUP into a kayak by attaching a seat (optional) to the 4 side d-rings.



**EVA CENTRAL AND KICK PADS**  
 Skiffo SUPs are equipped with a central pad in EVA foam with a comfort thickness of 4 mm. A kick pad of the same quality, raised by 5 cm, complements this SUP to facilitate manoeuvrability



# Suncruise 11'2"

THE LONG DISTANCE SUP

MANOEUVRABILITY

STABILITY

SPEED

Beginner
Intermediate
Advanced

Dimensions	340 x 84 cm / 11'2" x 33"
Thickness	15cm / 6"
Technology	Drop-Stitch / Double layer fusion
Max. Charge	150 kg
Fins	1 central slide-in
Ref	PB-SSC112C



**Max. Charge**  
150 kg



**Technology**  
Dropstich  
Double layer fusion



**Thickness**  
15 cm

## INCREASED BUOYANCY, IMPROVED GLIDE.

You will find in the Suncruise 11'2" dimensions that call for better gliding from the first paddling strokes. With its 340 cm length, this speed SUP will nonetheless surprise by its great stability which it gains through a width of 84 cm and two advanced construction technologies that increase its stiffness by 30%.



All included Pack



### CARGO STRAPS

Make the fun last by loading a waterproof bag filled with food and drink in the front of your board.



### 15 PSI PRESSURE VALVE

Skiffo SUPs are equipped with a high pressure push/pull technology valve guaranteeing extreme air and water tightness.



### D-RINGS KAYAK SEAT

Convert your SUP into a kayak by attaching a seat (optional) to the 4 side d-rings.




### EVA CENTRAL AND KICK PADS

Skiffo SUPs are equipped with a central pad in EVA foam with a comfort thickness of 4 mm. A kick pad of the same quality, raised by 5 cm, complements this SUP to facilitate manoeuvrability



# Suncruise 12'

THE FAMILY SUP

MANOEUVRABILITY   
 STABILITY   
 SPEED 

**Beginner** **Intermediate** **Advanced**

Dimensions	365 x 86 cm / 12' x 34"
Thickness	15cm / 6"
Technology	Drop-Stitch / Double layer fusion
Max. Charge	165 kg
Fins	1 central slide-in
Ref	PB-SSC120C

-  **Max. Charge** 165 kg
-  **Technology** Dropstich Double layer fusion
-  **Thickness** 15 cm

## REAL FAMILY SUP.

The Suncruise 12", its 365cm long, 15cm thick and 165kg capacity, easily accommodates two adults and even the companion dog. For this, 5 neoprene handles at the front, center and back of the board to secure the passengers and a "bungee" elastic to carry light equipment and, why not, a picnic.



### CARGO STRAPS

Make the fun last by loading a waterproof bag filled with food and drink in the front of your board.



### 15 PSI PRESSURE VALVE

Skiffo SUPs are equipped with a high pressure push/pull technology valve guaranteeing extreme air and water tightness.



### D-RINGS KAYAK SEAT

Convert your SUP into a kayak by attaching a seat (optional) to the 4 side d-rings.



### EVA CENTRAL AND KICK PADS

Skiffo SUPs are equipped with a central pad in EVA foam with a comfort thickness of 4 mm. A kick pad of the same quality, raised by 5 cm, complements this SUP to facilitate manoeuvrability

# Sea Scooter



## Sea Side



Dimensions	53 x 21 x 17 cm
Speed	3 Niv up to 1,5m/s
Temp working	-10°C / 45°C
Depth	30m
Batterie life	35 minutes
Charge time	4 hours

### REVEAL THE SECRETS OF THE UNDERWORLD

Our sea scooter SEASIDE invites you to propel yourself and discover new horizons and depths. The full-face snorkel mask included with your sea scooter will be your best partner in your water expeditions.

With a speed going up to 3 miles per hour, you will have plenty of time to amaze over the wonders of the aquatic world for a whole 35 minutes and even a full hour. Whether you choose a cold or a tropical destination, remember to take your Seaside along as it handles water temperature from -10°C to 40°C. A matching waterproof bag is included.

Equip yourself with a camera and make sure you create the best memories ever: the integrated mounting system will easily accommodate any action camera.



### FULLY EQUIPPED

To make your adventure complete, the Seaside is provided with its own waterproof bag and an ergonomical full face snorkel mask.



### CAMERA SUPPORT

Memories are best shared with closed ones. The Seaside includes an integrated mounting system that support any standard action camera that will capture your best moments.

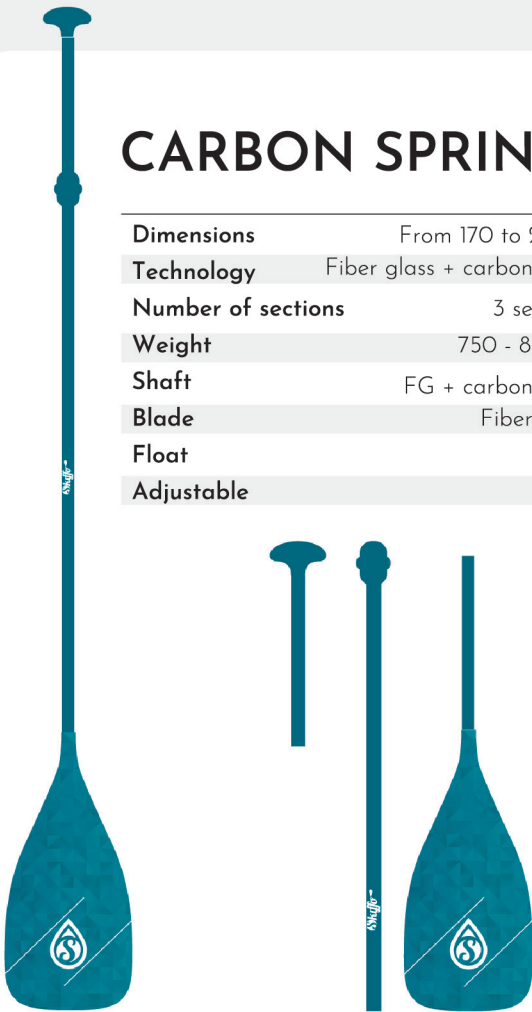


### GREAT AUTONOMY

With a fully charged battery, enjoy your water sightseeing for a whole 35 minutes. Go further with the 2 battery model and enjoy a full 1-hour ride.

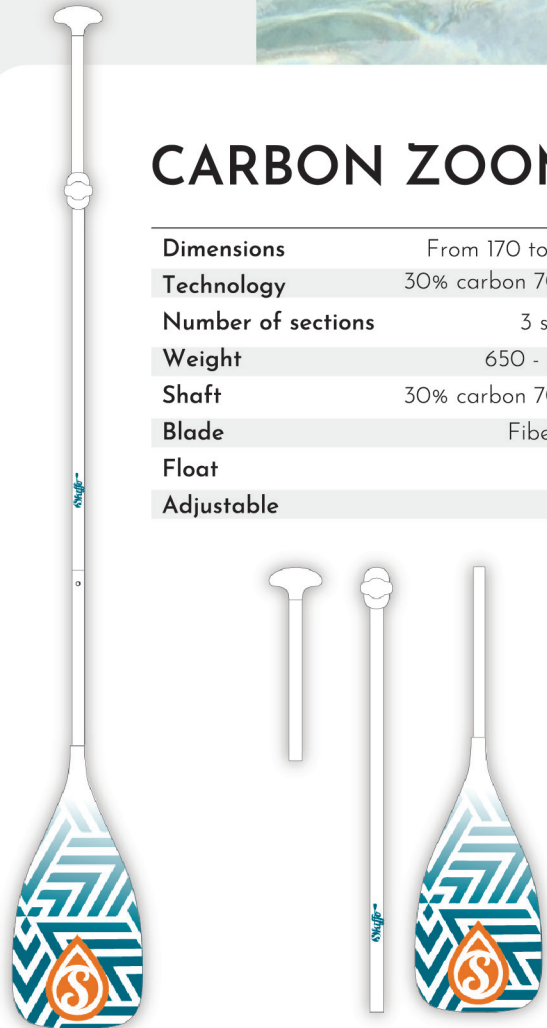
## CARBON SPRINT

Dimensions	From 170 to 215cm
Technology	Fiber glass + carbon layer
Number of sections	3 sections
Weight	750 - 800 gr
Shaft	FG + carbon layer
Blade	Fiber glass
Float	Yes
Adjustable	Yes



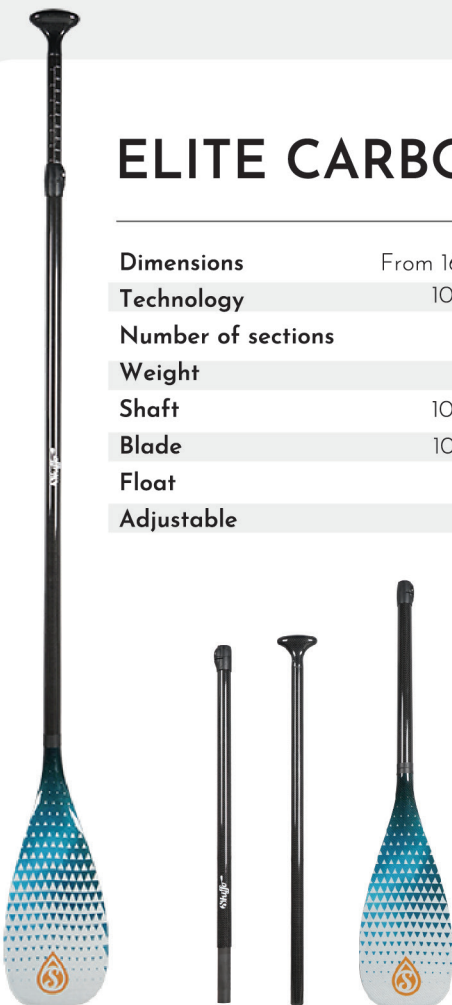
## CARBON ZOOM

Dimensions	From 170 to 215cm
Technology	30% carbon 70% FG
Number of sections	3 sections
Weight	650 - 700 gr
Shaft	30% carbon 70% FG
Blade	Fiber glass
Float	Yes
Adjustable	Yes



## ELITE CARBON

Dimensions	From 165 to 215cm
Technology	100% Carbon
Number of sections	3 sections
Weight	< 630gr
Shaft	100% Carbon
Blade	100% Carbon
Float	Yes
Adjustable	Yes



## Accessories



### LEASH

Dimensions	10' // 3m étiré
Diameter	8mm
Leash	Coiled



### DECKBAG

Capacity	22L
Loading bungee	Yes
Material	TPU

- Waterproof